

Logis

Single lever basin mixer 100 without waste set

Surfaces: **chrome** Article Number: **71101003**

WELS 5 STAR

5 litres per minute

15 YEAR WARRANTY



Description

product features

- ComfortZone 100
- projection 108 mm
- flow rate: 5 l/min
- ceramic cartridge
- temperature limitation adjustable
- without waste set
- suitable for continuous flow water heaters
- connection dimension: DN15

Technology



Design awards



reddot award 2014
winner

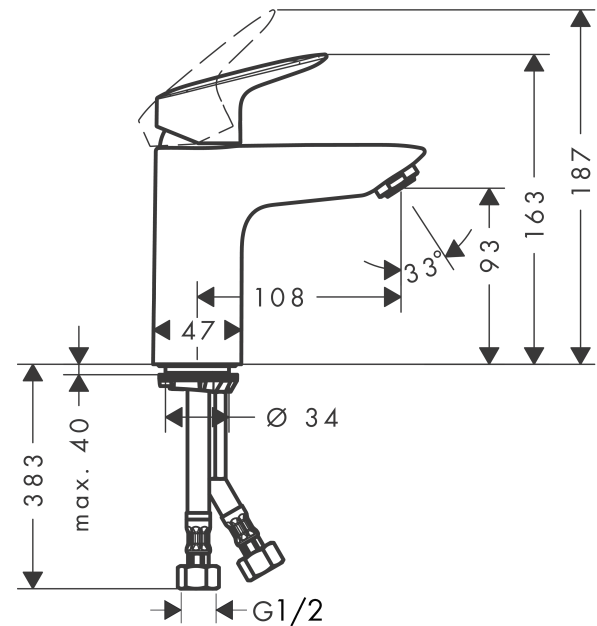
Certificates



Product image



Scale drawing



Flowchart

